

TETRA SKS-T1160



Tetra – sink art. Bold, minimalist aesthetic. Handcrafted excellence. Undermount or above-mount.

Create an atmosphere of design excellence with a Tetra handcrafted stainless steel sink. Inspired by a strong reductive aesthetic, the Tetra series perfectly complements minimalist and contemporary architectural design. Superior edge finish means that Tetra sinks are suitable for above-mount or undermount installation.

- minimalist bold design, refined industrial aesthetic
- beautiful lines and geometries
- highest quality individually handcrafted
- designed for above-mount or undermount installation, superior edge finish
- 1.2mm thick premium 304 grade stainless steel
- sleek brushed satin finish
- deep, large capacity bowls
- easy to clean corners, 10mm radii
- sound deadening
- distinctive square basket waste

SUMMARY Two bowls, drainer on right or left
Above-mount or undermount

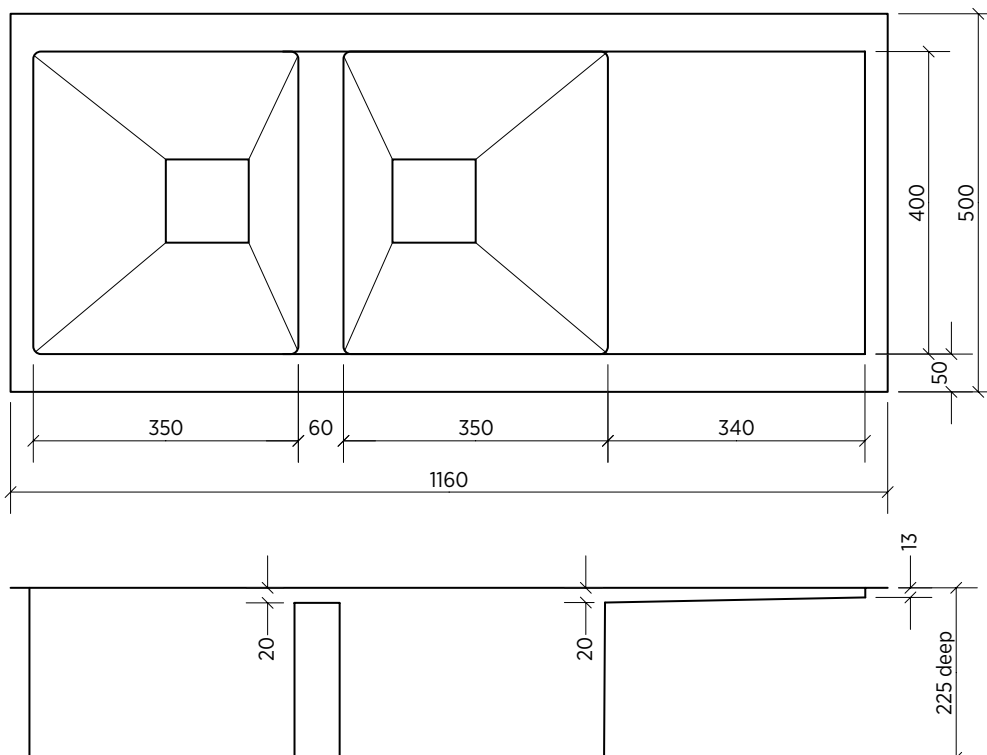
ORDER CODE SKS-T1160-OT no taphole
SKS-T1160-RD 1 taphole, drainer on right
SKS-T1160-LD 1 taphole, drainer on left

WASTE Includes square basket waste

BOWL SIZE Each bowl 350 x 400 mm, 225 mm deep

CAPACITY 33 litres each bowl

ACCESSORIES A variety of accessories is available.



SEIMA

bathroom | kitchen | laundry

seima.com.au

Please note

- All measurements are in millimetres.
- Always use the actual product to verify cutout.
- Specifications may vary without notice as part of our continuous improvement practices.

DS-SKS-T1160 | v 2.1